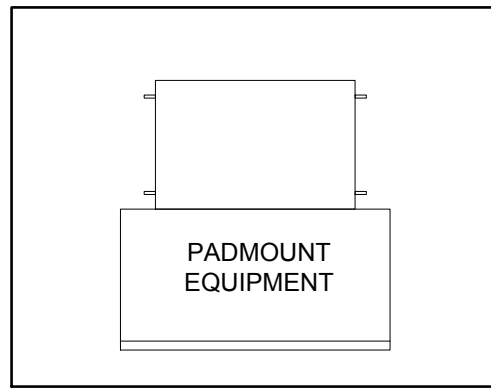


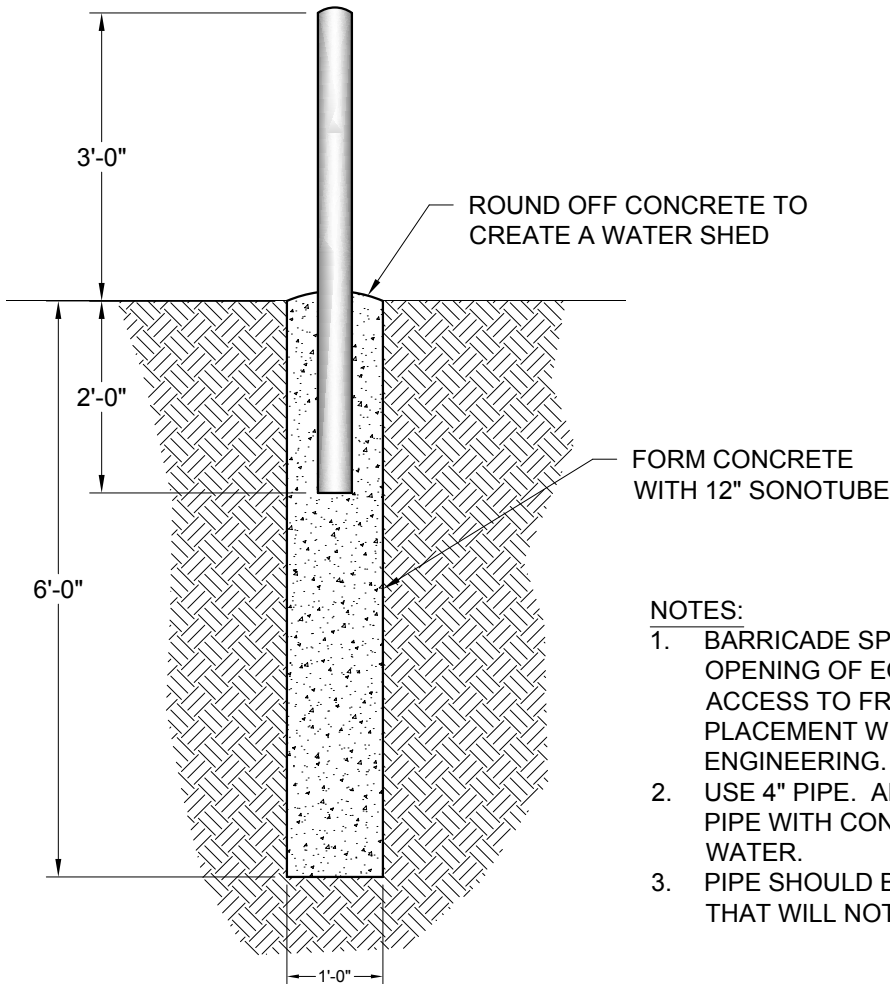
AERIAL VIEW



SEE NOTE 1



SEE NOTE 2



NOTES:

1. BARRICADE SPACING MUST ALLOW FOR COMPLETE OPENING OF EQUIPMENT DOORS AND UNIMPEDED ACCESS TO FRONT FOR HOT STICK OPERATION. PLACEMENT WILL BE DETERMINED BY DIVISION ENGINEERING.
2. USE 4" PIPE. AFTER PLACING PIPE IN CONCRETE, FILL PIPE WITH CONCRETE AND ROUND OFF TOP TO SHED WATER.
3. PIPE SHOULD BE PAINTED A BRIGHT, FLAME ORANGE THAT WILL NOT FADE.



SPECIFICATIONS
DULUTH, MINNESOTA

**PROTECTIVE BARRIER FOR
PADMOUNT EQUIPMENT**